

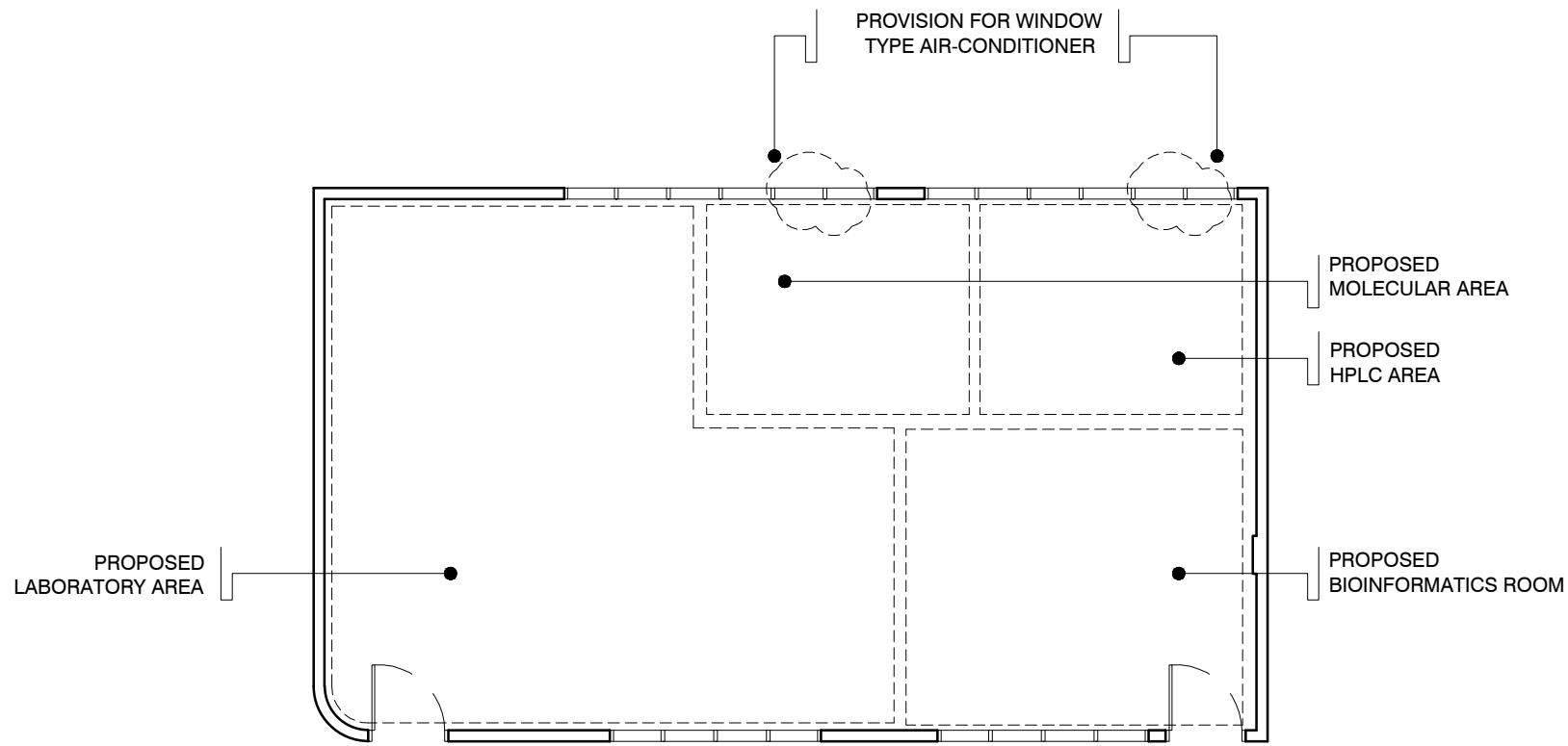


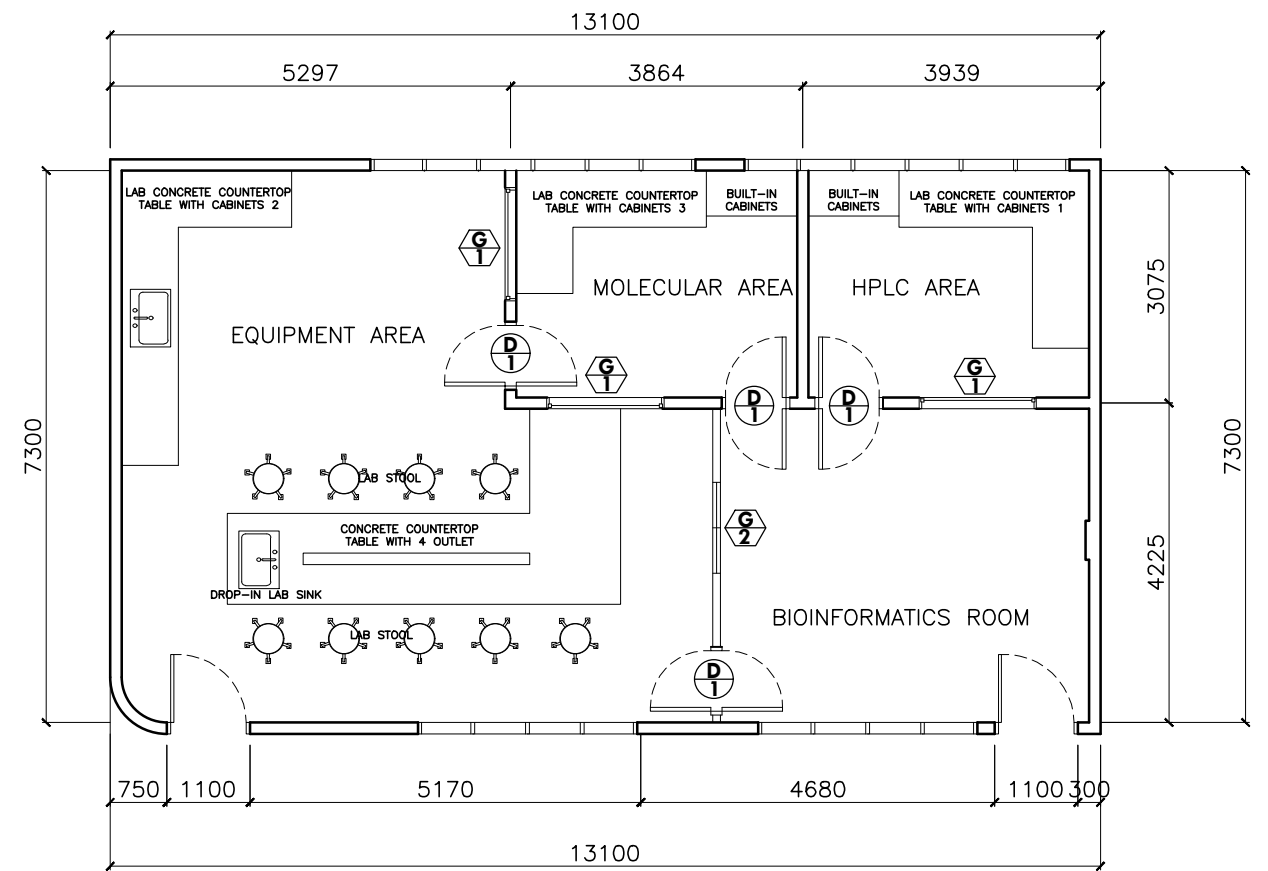


ANALYTICAL & PURE SCIENCE RESEARCH LAB
PERSPECTIVES
 NOT TO SCALE



	DESIGNED BY:	PROJECT TITLE:	REQUISITIONER	RECOMMENDING APPROVAL	RECOMMENDING APPROVAL	APPROVED BY:	SHEET CONTENTS	SHEET NO.	
	ARCH. JOSEPH ANDREW L. SAHIAL, uap UNIVERSITY ARCHITECT PRC: 0010577 PTR: 2344835 TIN: 445013228	RENOVATION OF ANALYTICAL SERVICES AND PURE SCIENCE RESEARCH LABORATORY ROOM AT 3RD FLOOR OF SCIENCE AND TECHNOLOGY HUB BUILDING LOCATION: ZAMBOANGA CITY	KAY P. RAMOS, PHD FACULTY NICER P2 LEADER	ARCH. JOSEPH ANDREW L. SAHIAL, uap DIRECTOR OF PHYSICAL PLANT AND ENGINEERING SERVICES PRC: 0010577 PTR: 2344835 TIN: 445013228	DR. JOSELITO D. MADROÑAL VICE PRESIDENT FOR ADMIN AND FINANCE	DR. MA. CARLA A. OCHOTORENA WMSU-PRESIDENT	DRAFTED BY: GBD	A2 28	

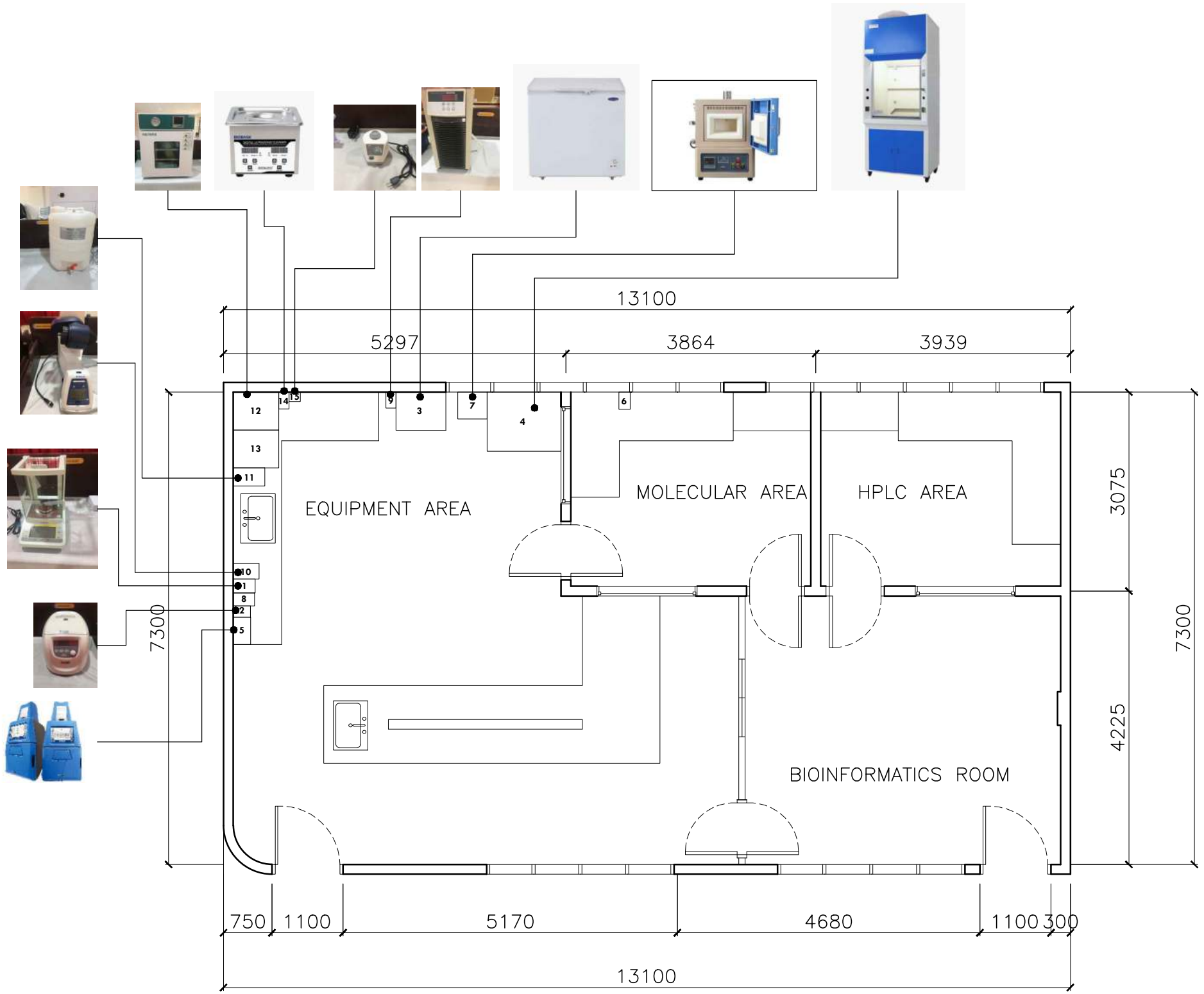


ANALYTICAL & PURE SCIENCE RESEARCH LAB
EXISTING FLOOR PLAN
 SCALE 1:100 MTRS



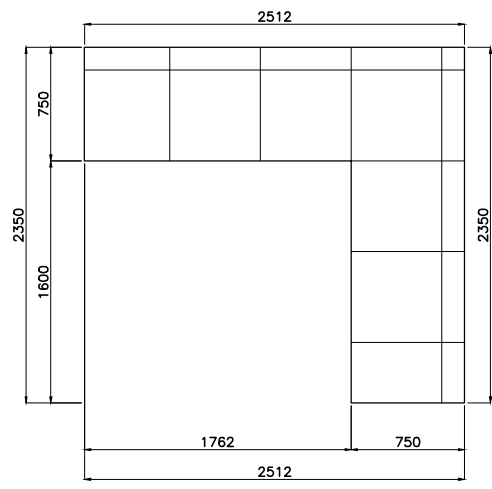
ANALYTICAL & PURE SCIENCE RESEARCH LAB
PROPOSED INTERIOR FLOOR PLAN
 SCALE 1:100 MTRS

	DESIGNED BY:	PROJECT TITLE:	REQUISITIONER	RECOMMENDING APPROVAL	RECOMMENDING APPROVAL	APPROVED BY:	SHEET CONTENTS	SHEET NO.	
	ARCH. JOSEPH ANDREW L. SAHIAL, uap UNIVERSITY ARCHITECT	RENOVATION OF ANALYTICAL SERVICES AND PURE SCIENCE RESEARCH LABORATORY ROOM AT 3RD FLOOR OF SCIENCE AND TECHNOLOGY HUB BUILDING	KAY P. RAMOS, PHD FACULTY NICER P2 LEADER	ARCH. JOSEPH ANDREW L. SAHIAL, uap DIRECTOR OF PHYSICAL PLANT AND ENGINEERING SERVICES	DR. JOSELITO D. MADROÑAL VICE PRESIDENT FOR ADMIN AND FINANCE	DR. MA. CARLA A. OCHOTORENA WMSU-PRESIDENT	DRAFTED BY: GBD	A3 38	
	PRC: 0010577 PTR: 2344835 TIN: 445013228	LOCATION: ZAMBOANGA CITY	PRC: 0010577 PTR: 2344835 TIN: 445013228						

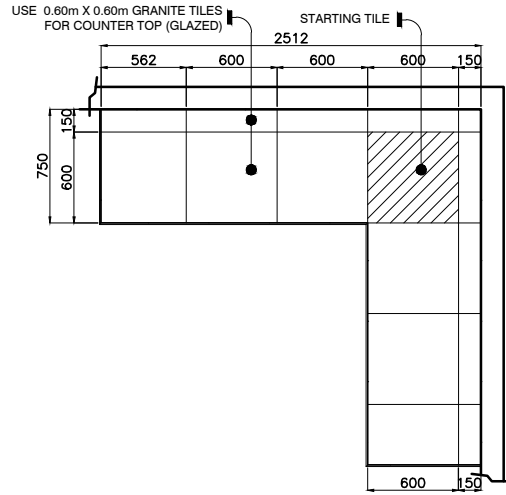


	NAME OF INSTRUMENT	DIMENSIONS (CM)			VOLTAGE (VOLTS)	WATTS
		WIDTH	LENGTH	HEIGHT		
1	ANALYTICAL BALANCE	21.5	34	36	220V	--
2	MICROCENTRIFUGE	17.6	26.6	22.6	200 - 240V	380W
3	CHILLER / REFRIGERATOR	77.3	59	81	220V	107W
4	FUME HOOD	91.4	114.3	66	220V	400W
5	GEL DOCUMENTATION SYSTEM	42	26.9	25.4	100-240V	60W
6	HORIZONTAL GEL ELECTROPHORESIS	26.5	17.5	9	100-240V	600W
7	MUFFLE FURNACE SET	41.5	45.5	51.5	220V	6000W
8	MICROSPECTROPHOTOMETER	20	33	--	--	80-100W
9	RECIRCULATING CHILLER	24.5	15.5	32	220V	450W-260W
10	ROTARY EVAPORATOR	24	40	52	200-240V	1400W
11	WATER PURIFICATION SYSTEM	28	49	50	100-240V	113W
12	VACUUM OVEN	58.5	70.4	43.4	220V	800W
13	DRY AIR OVEN	58.5	70.4	43.4	230V	1400W
14	ULTRASONIC BATH WITH TIMER	26	16	24	230V	300-400W
15	VORTEX	14.5	17.5	14	220V	--

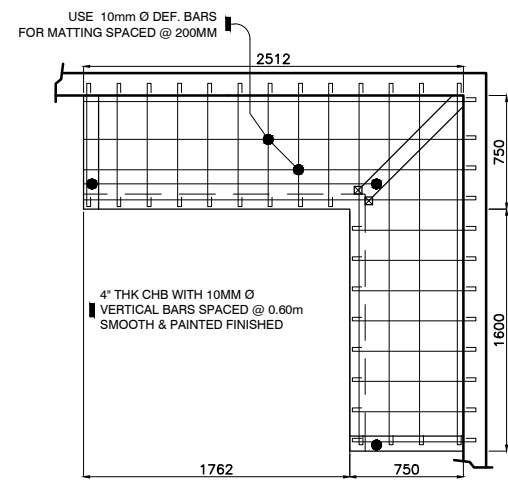
ANALYTICAL & PURE SCIENCE RESEARCH LAB
EQUIPMENT LAYOUT
 SCALE 1:75 MTRS



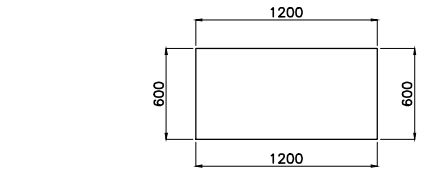
ANALYTICAL & PURE SCIENCE RESEARCH LAB
PROPOSED TABLE 1 PLAN
 SCALE 1:50 MTRS



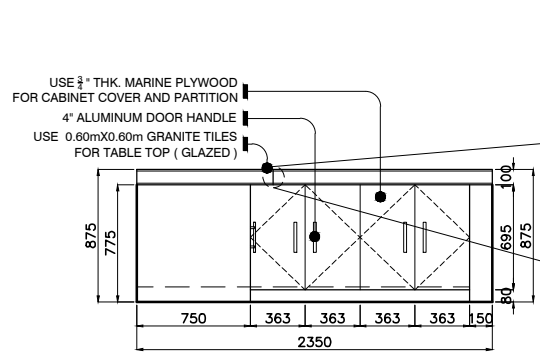
ANALYTICAL & PURE SCIENCE RESEARCH LAB
PROPOSED TABLE 1 TILE LAYOUT
 SCALE 1:50 MTRS



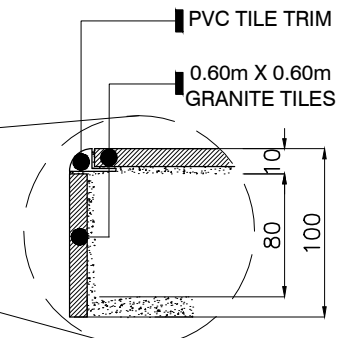
ANALYTICAL & PURE SCIENCE RESEARCH LAB
TABLE 1 FRAMING PLAN
 SCALE 1:50 MTRS



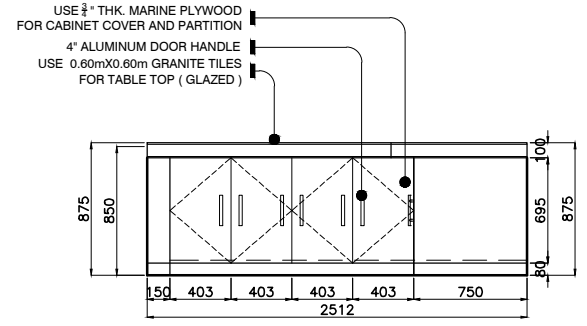
ANALYTICAL & PURE SCIENCE RESEARCH LAB
PROPOSED CABINET PLAN (2 SETS)
 SCALE 1:50 MTRS



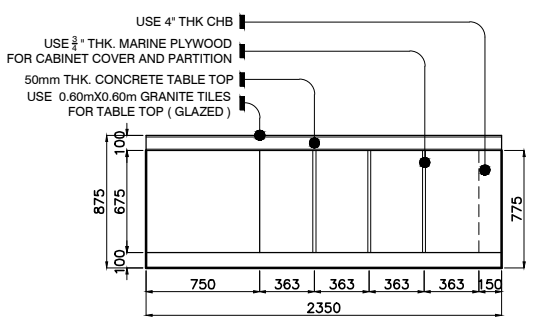
ANALYTICAL & PURE SCIENCE RESEARCH LAB
TABLE 1 DETAIL
 SCALE 1:50 MTRS



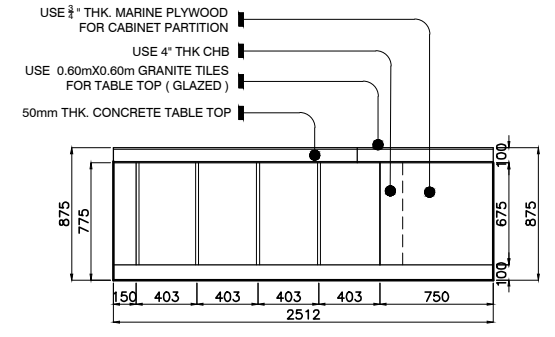
EDGE SPOT DETAIL



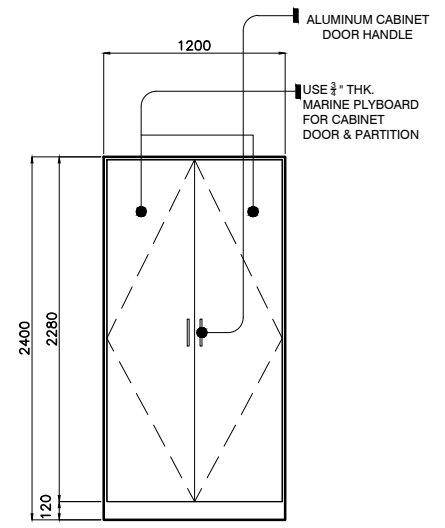
ANALYTICAL & PURE SCIENCE RESEARCH LAB
TABLE 1 DETAIL
 SCALE 1:50 MTRS



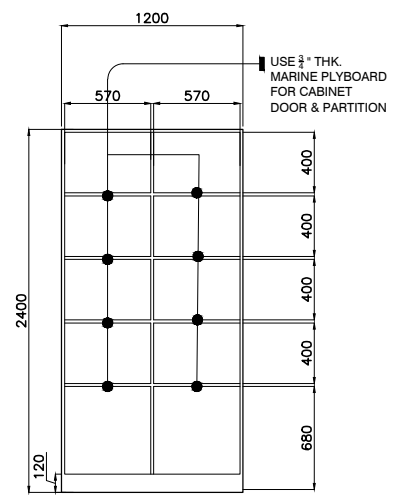
ANALYTICAL & PURE SCIENCE RESEARCH LAB
TABLE 1 WITHOUT DOORS
 SCALE 1:50 MTRS



ANALYTICAL & PURE SCIENCE RESEARCH LAB
TABLE 1 WITHOUT DOORS
 SCALE 1:50 MTRS

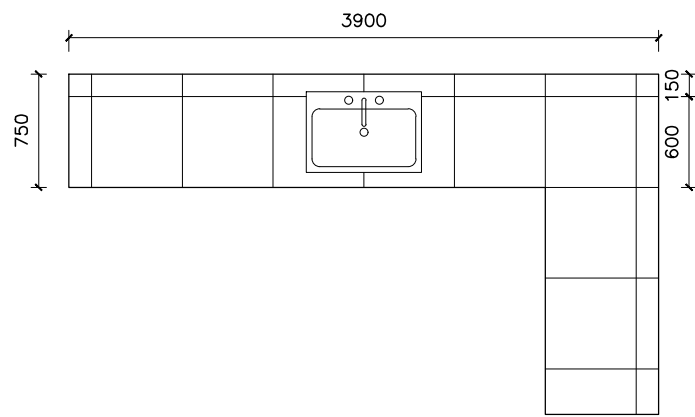


ANALYTICAL & PURE SCIENCE RESEARCH LAB
ELEVATION WITH DOORS
 SCALE 1:50 MTRS

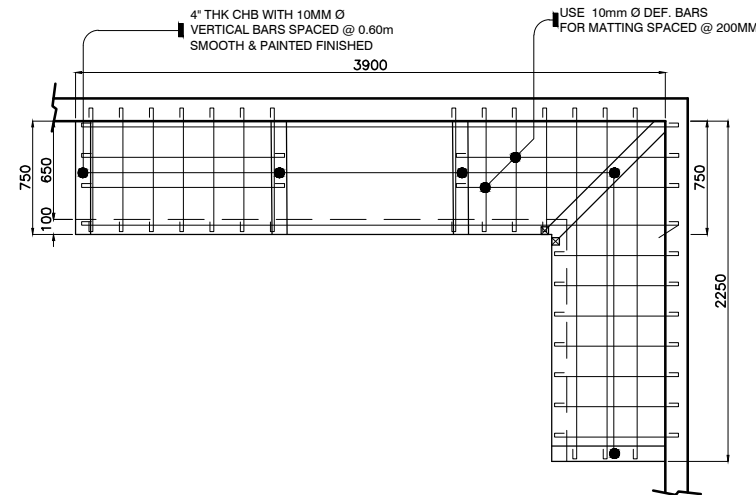


ANALYTICAL & PURE SCIENCE RESEARCH LAB
ELEVATION WITHOUT DOORS
 SCALE 1:75 MTRS

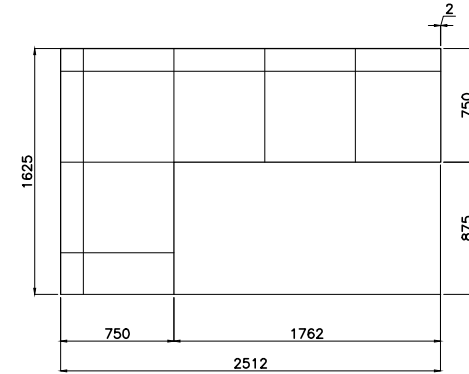
	DESIGNED BY: ARCH. JOSEPH ANDREW L. SAHIAL, uap UNIVERSITY ARCHITECT	PROJECT TITLE: RENOVATION OF ANALYTICAL SERVICES AND PURE SCIENCE RESEARCH LABORATORY ROOM AT 3RD FLOOR OF SCIENCE AND TECHNOLOGY HUB BUILDING	REQUISITIONER: KAY P. RAMOS, PHD FACULTY NICER P2 LEADER	RECOMMENDING APPROVAL: ARCH. JOSEPH ANDREW L. SAHIAL, uap DIRECTOR OF PHYSICAL PLANT AND ENGINEERING SERVICES	RECOMMENDING APPROVAL: DR. JOSELITO D. MADROÑAL VICE PRESIDENT FOR ADMIN AND FINANCE	APPROVED BY: DR. MA. CARLA A. OCHOTORENA WMSU-PRESIDENT	SHEET CONTENTS: DRAFTED BY: GBD	SHEET NO. A5 58	
	PRC: 0010577 PTR: 2344835 TIN: 445013228	LOCATION: ZAMBOANGA CITY		PRC: 0010577 PTR: 2344835 TIN: 445013228					



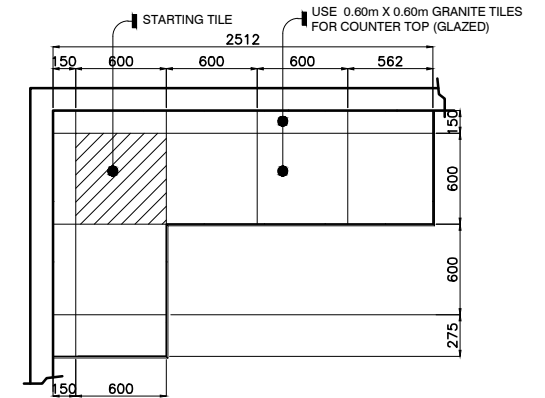
ANALYTICAL & PURE SCIENCE RESEARCH LAB
PROPOSED TABLE 2 PLAN
SCALE 1:50 MTRS



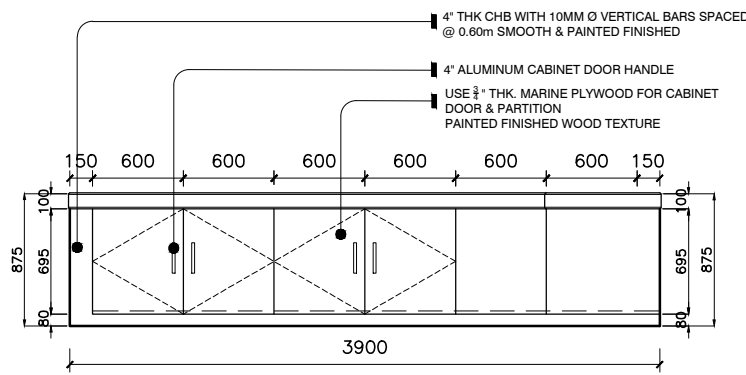
ANALYTICAL & PURE SCIENCE RESEARCH LAB
PROPOSED TABLE 2 FRAMING PLAN
SCALE 1:50 MTRS



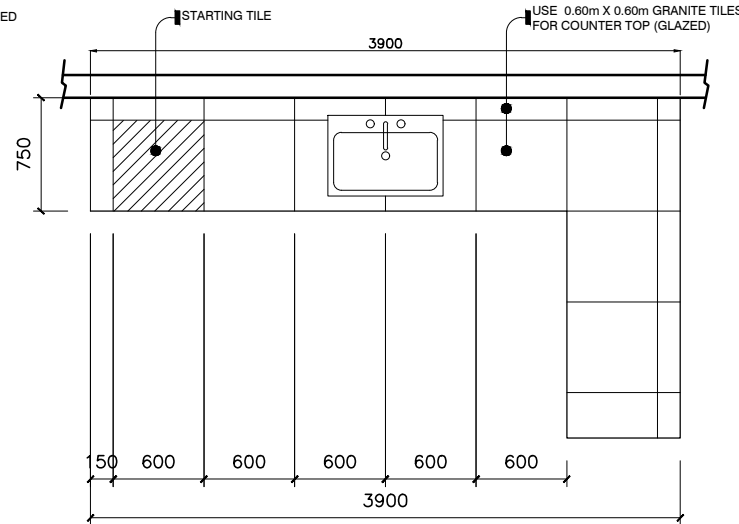
ANALYTICAL & PURE SCIENCE RESEARCH LAB
PROPOSED TABLE 3 PLAN
SCALE 1:50 MTRS



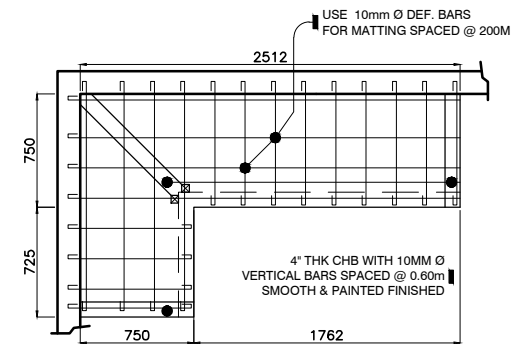
ANALYTICAL & PURE SCIENCE RESEARCH LAB
PROPOSED TABLE 3 TILE LAYOUT
SCALE 1:50 MTRS



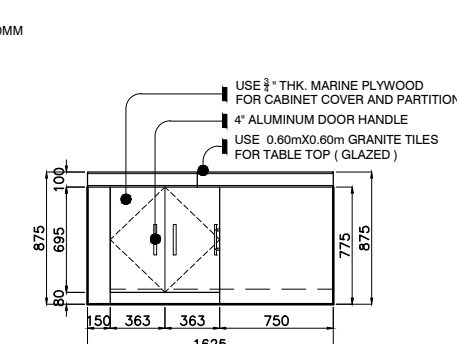
ANALYTICAL & PURE SCIENCE RESEARCH LAB
TABLE 2 ELEVATION WITH DOORS
SCALE 1:50 MTRS



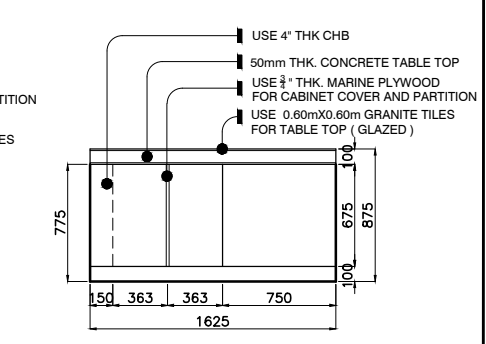
ANALYTICAL & PURE SCIENCE RESEARCH LAB
PROPOSED TABLE 2 TILE LAYOUT
SCALE 1:50 MTRS



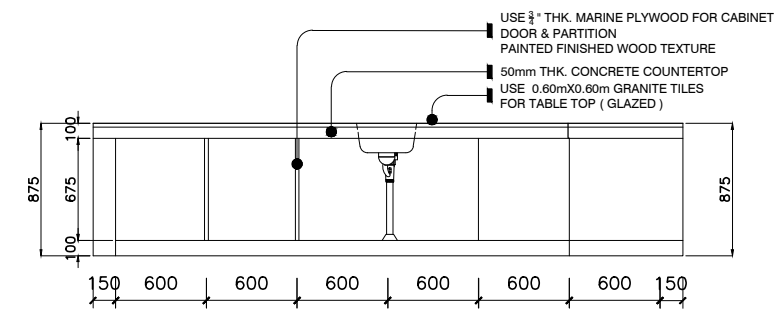
ANALYTICAL & PURE SCIENCE RESEARCH LAB
TABLE 3 FRAMING PLAN
SCALE 1:50 MTRS



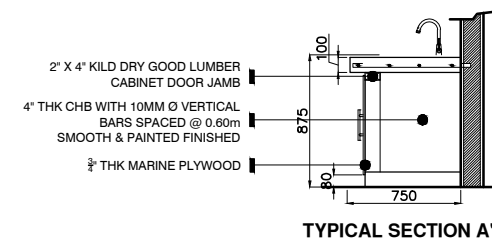
ANALYTICAL & PURE SCIENCE RESEARCH LAB
TABLE 3 DETAIL
SCALE 1:50 MTRS



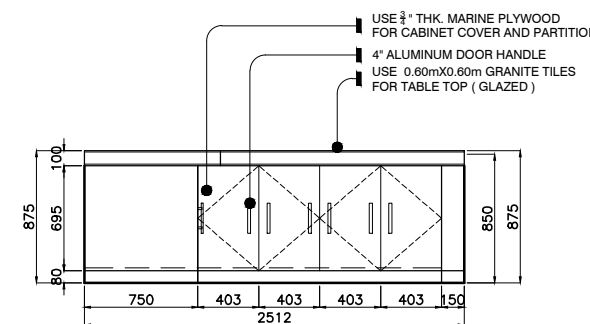
ANALYTICAL & PURE SCIENCE RESEARCH LAB
TABLE 3 WITHOUT DOORS
SCALE 1:50 MTRS



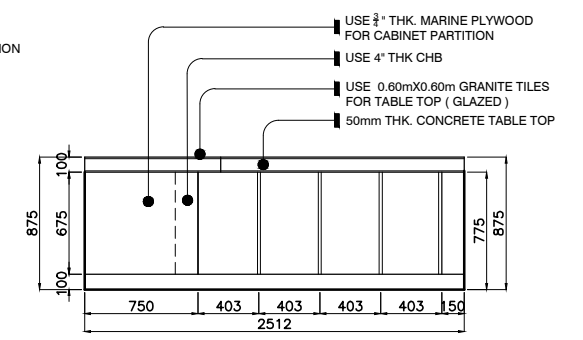
ANALYTICAL & PURE SCIENCE RESEARCH LAB
TABLE 2 WITHOUT DOORS (1 SET)
SCALE 1:50 MTRS




TYPICAL SECTION A'

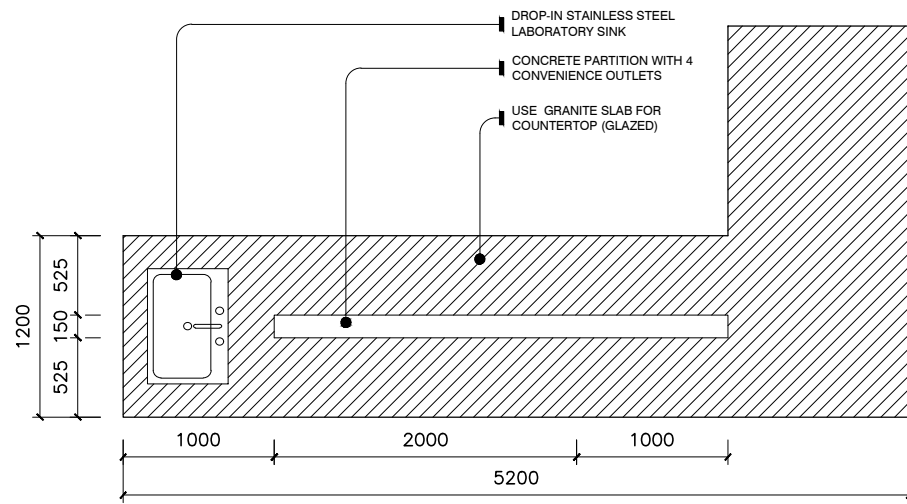


ANALYTICAL & PURE SCIENCE RESEARCH LAB
TABLE 3 DETAIL
SCALE 1:50 MTRS

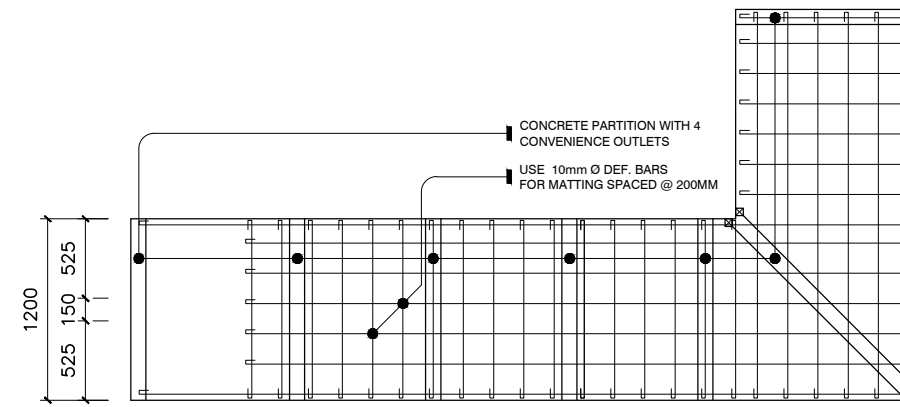


ANALYTICAL & PURE SCIENCE RESEARCH LAB
TABLE 3 WITHOUT DOORS
SCALE 1:50 MTRS

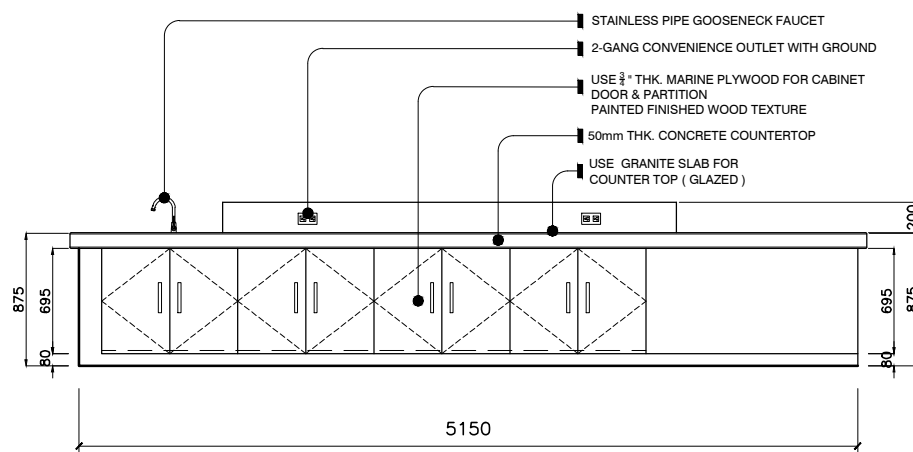
	DESIGNED BY:	PROJECT TITLE:	REQUISITIONER	RECOMMENDING APPROVAL	RECOMMENDING APPROVAL	APPROVED BY:	SHEET CONTENTS	SHEET NO.
	ARCH. JOSEPH ANDREW L. SAHIAL, uap UNIVERSITY ARCHITECT PRC: 0010577 PTR: 2344835 TIN: 445013228	RENOVATION OF ANALYTICAL SERVICES AND PURE SCIENCE RESEARCH LABORATORY ROOM AT 3RD FLOOR OF SCIENCE AND TECHNOLOGY HUB BUILDING LOCATION: ZAMBOANGA CITY	KAY P. RAMOS, PHD FACULTY NICER P2 LEADER	ARCH. JOSEPH ANDREW L. SAHIAL, uap DIRECTOR OF PHYSICAL PLANT AND ENGINEERING SERVICES PRC: 0010577 PTR: 2344835 TIN: 445013228	DR. JOSELITO D. MADROÑAL VICE PRESIDENT FOR ADMIN AND FINANCE	DR. MA. CARLA A. OCHOTORENA WMSU-PRESIDENT	DRAFTED BY: GBD	A6 68



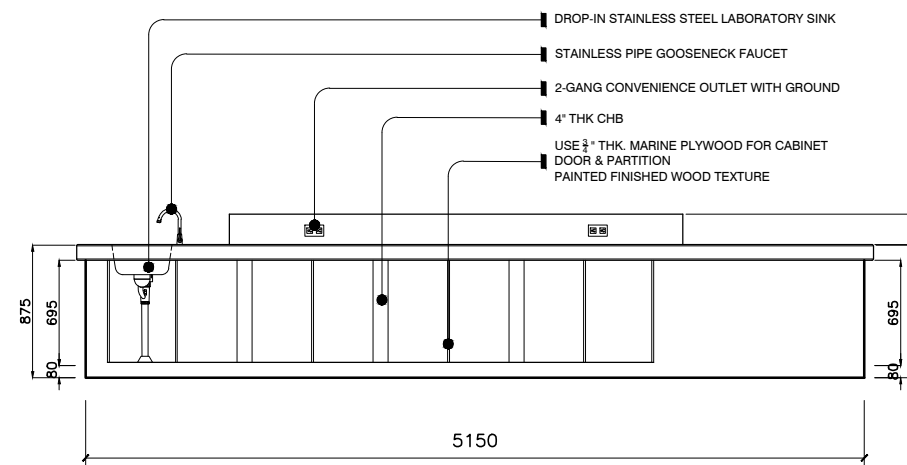
ANALYTICAL & PURE SCIENCE RESEARCH LAB
PROPOSED TABLE 3 PLAN
 SCALE 1:50 MTRS



ANALYTICAL & PURE SCIENCE RESEARCH LAB
PROPOSED TABLE 3 FRAMING PLAN
 SCALE 1:50 MTRS

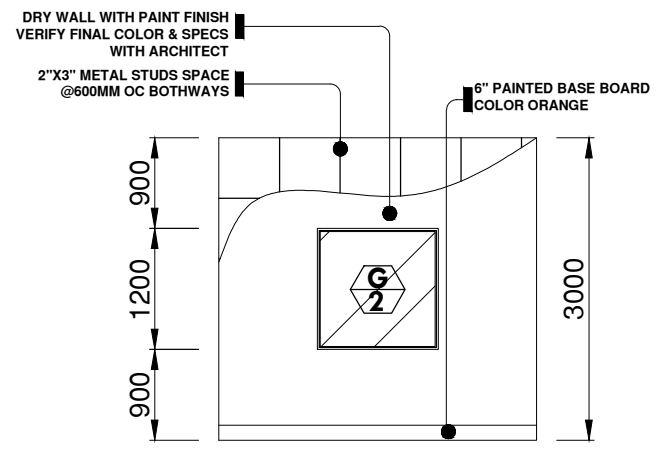


ANALYTICAL & PURE SCIENCE RESEARCH LAB
TABLE 3 ELEVATION WITH DOORS
 SCALE 1:50 MTRS

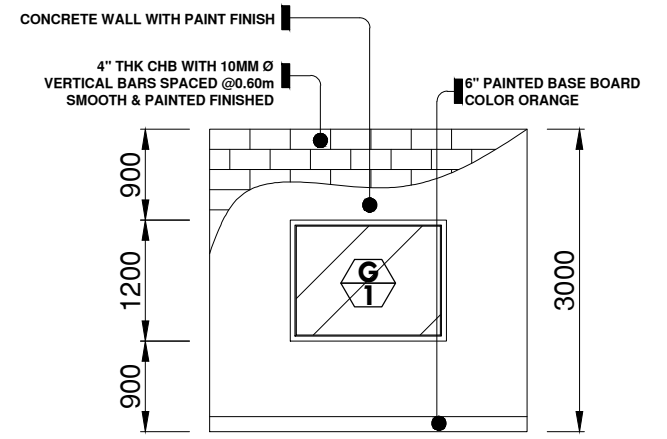


ANALYTICAL & PURE SCIENCE RESEARCH LAB
TABLE 3 ELEVATION WITHOUT DOORS (1 SET)
 SCALE 1:50 MTRS

DOORS/GLASS SCHEDULE			
PLAN			
ELEVATION			
DESIGNATION	D 1	G 1	G 2
LOCATION	LABORATORY	WORKING AREA	WORKING AREA
NUMBER OF SET/S	4 SETS	3 SETS	1 SET
DESCRIPTION/ SPECIFICATION	SINGLE SWING DOOR USE 1/2" THK. CLEAR GLASS WITH ALUMINUM FRAME (ANALOK FINISH)	USE 1/4" THK. CLEAR GLASS WITH ALUMINUM FRAME (ANALOK FINISH)	USE 1/4" THK. CLEAR GLASS WITH ALUMINUM FRAME (ANALOK FINISH)

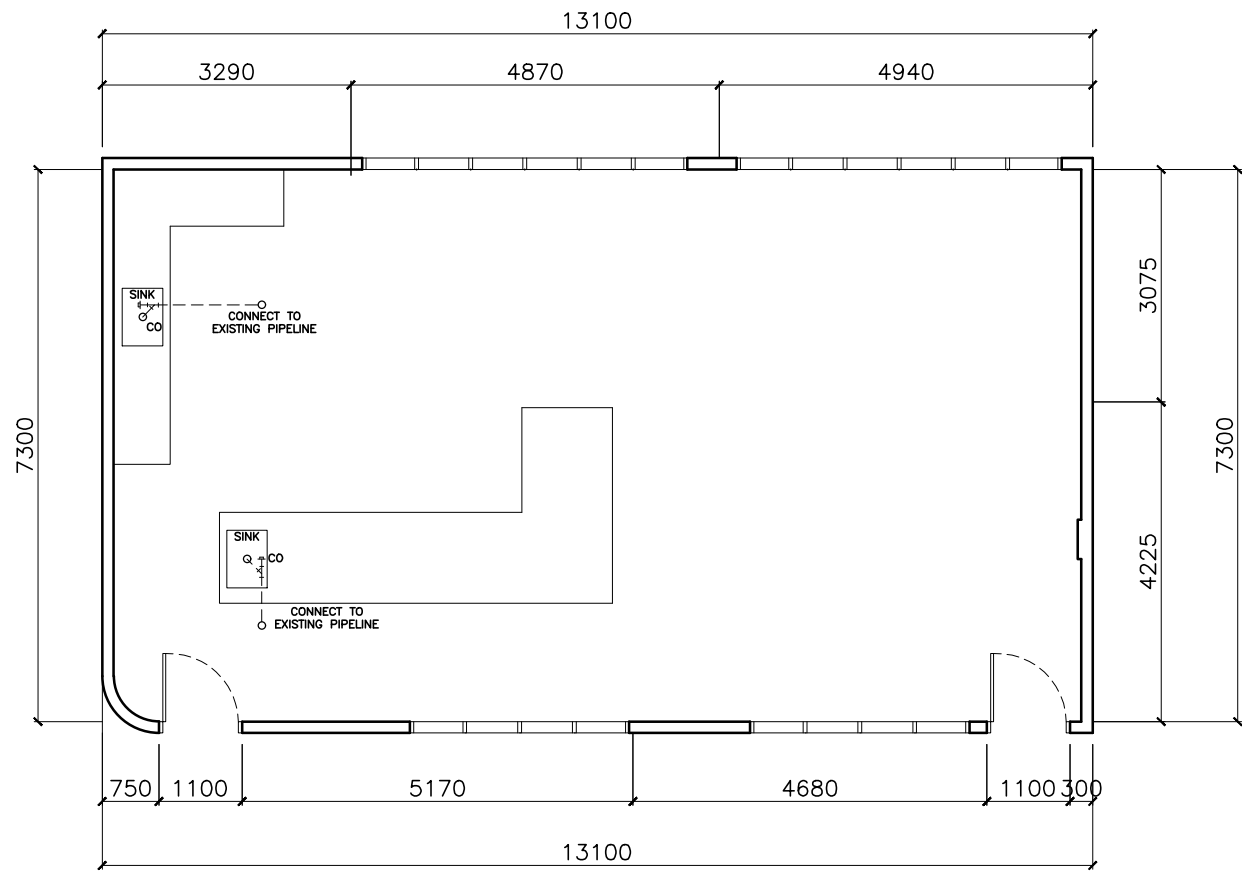


ANALYTICAL & PURE SCIENCE RESEARCH LAB
INTERIOR WALL DETAILS
 SCALE 1:75MTRS

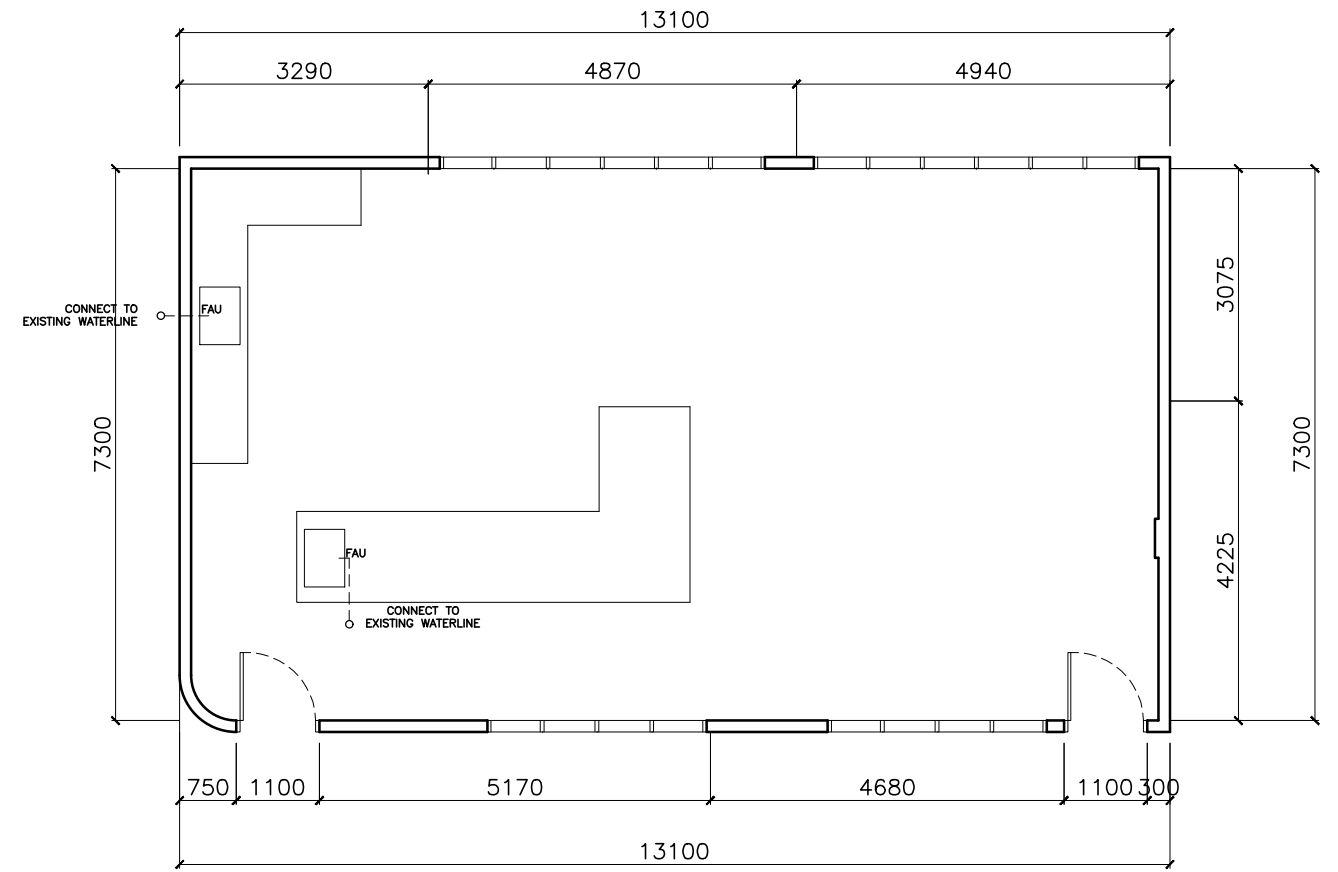


ANALYTICAL & PURE SCIENCE RESEARCH LAB
INTERIOR WALL DETAILS
 SCALE 1:75MTRS

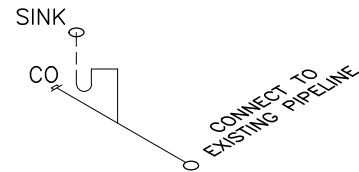
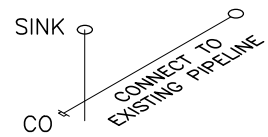
	DESIGNED BY: ARCH. JOSEPH ANDREW L. SAHIAL, uap UNIVERSITY ARCHITECT	PROJECT TITLE: RENOVATION OF ANALYTICAL SERVICES AND PURE SCIENCE RESEARCH LABORATORY ROOM AT 3RD FLOOR OF SCIENCE AND TECHNOLOGY HUB BUILDING	REQUISITIONER: KAY E. RAMOS, PHD FACULTY NICER P2 LEADER	RECOMMENDING APPROVAL: ARCH. JOSEPH ANDREW L. SAHIAL, uap DIRECTOR OF PHYSICAL PLANT AND ENGINEERING SERVICES	RECOMMENDING APPROVAL: DR. JOSELITO D. MADROÑAL VICE PRESIDENT FOR ADMIN AND FINANCE	APPROVED BY: DR. MA. CARLA A. OCHOTORENA WMSU-PRESIDENT	SHEET CONTENTS: DRAFTED BY: GBD	SHEET NO. A7 78	
	PRC: 0010577 PTR: 2344835 TIN: 445013228	LOCATION: ZAMBOANGA CITY		PRC: 0010577 PTR: 2344835 TIN: 445013228					



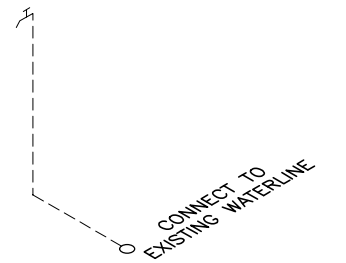
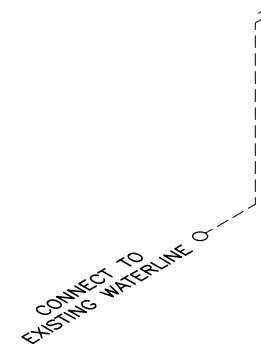
ANALYTICAL & PURE SCIENCE RESEARCH LAB
PLUMBING LAYOUT
 SCALE 1:100 MTRS



ANALYTICAL & PURE SCIENCE RESEARCH LAB
WATER SUPPLY LAYOUT
 SCALE 1:100 MTRS



ANALYTICAL & PURE SCIENCE RESEARCH LAB
ISOMETRIC DIAGRAM
 SCALE 1:50 MTRS



ANALYTICAL & PURE SCIENCE RESEARCH LAB
ISOMETRIC DIAGRAM
 SCALE 1:50 MTRS

	DESIGNED BY:	PROJECT TITLE:	REQUISITIONER	RECOMMENDING APPROVAL	RECOMMENDING APPROVAL	APPROVED BY:	SHEET CONTENTS	SHEET NO.	
	ARCH. JOSEPH ANDREW L. SAHIAL, uap UNIVERSITY ARCHITECT	RENOVATION OF ANALYTICAL SERVICES AND PURE SCIENCE RESEARCH LABORATORY ROOM AT 3RD FLOOR OF SCIENCE AND TECHNOLOGY HUB BUILDING	KAY P. RAMOS, PHD FACULTY NICER P2 LEADER	ARCH. JOSEPH ANDREW L. SAHIAL, uap DIRECTOR OF PHYSICAL PLANT AND ENGINEERING SERVICES	DR. JOSELITO D. MADROÑAL VICE PRESIDENT FOR ADMIN AND FINANCE	DR. MA. CARLA A. OCHOTORENA WMSU-PRESIDENT	DRAFTED BY: GBD	P1 88	
	PRC: 0010577 PTR: 2344835 TIN: 445013228	LOCATION: ZAMBOANGA CITY		PRC: 0010577 PTR: 2344835 TIN: 445013228					